

SWING PISTON COMPRESSORS AND VACUUM PUMPS FOR AIR



NPK03KVDC-M PR



NPK03KVDC-B4 PR, 4-wire

Concept

The Swing Piston Pumps from KNF are based on a simple principal: As it rises and falls the piston tilts first to one side, then the other. The compression forces act along the axis of the connecting rod, so that there is no component of force acting against the cylinder wall to cause wear. Thanks to the sealing lip on the piston seal the swing pump runs dry and 100 % oil-free. They will evacuate, transfer and compress air without contamination.

For customers with unusual requirements the KNF Project Team produces specially tailored solutions. Use our experience to your advantage and talk to our applications engineers.

Features

No contamination of the air due to oil-free operation

High end pressure up to 6 bar g on request

Excellent size performance ratio

Very quiet and little vibration

High level of flow-rate

Ready for installation

Can operate in any installed position

Connection DN4/6 mm hose connector. Optional M5, UNF 1/4.-28 and hose barbs

Areas of use

The low vibration and noise level at high operating pressure points makes the NPK 03 ideal for applications such as medical point of care machines, RNA extraction machines and nebulizers for the medical industry, coffee machines and milk foamers in the food industry, pulsation dampers in the print industry as well as for other applications with demand on high pressure and limited installations space.

PERFORMANCE DATA

Typ		Flow rate (l/min)	Ultimate vacuum (mbar absolute)	atm. pressure	Ultimate pressure (bar rel.)	Weight (g)
NPK03KVDC-M PR	Standard DC motor	3	250		5.5	480
NPK03KVDC-B4 PR	Brushless motor, 4-wire	2.7	250	5.5	380	

NPK03KVDC-M PR

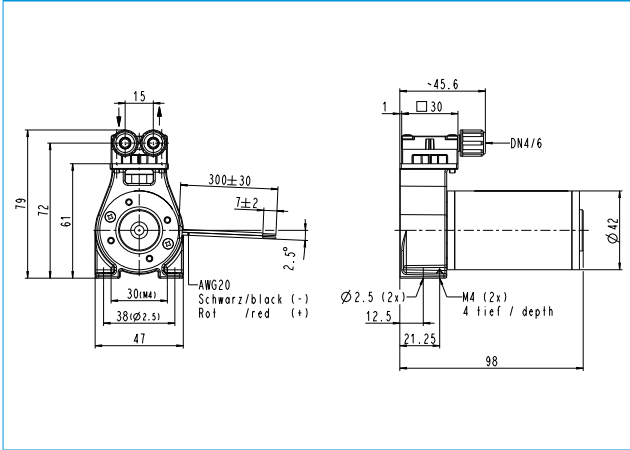
PERFORMANCE DATA

Type	Voltage (V)	Flow rate (l/min)	Ultimate pressure (bar rel.)	Ultimate vacuum (mbar abs.)
NPK03KVDC-M PR 12	12	3	5.5	250
NPK03KVDC-M PR 24	24	3	5.5	250

PUMP MATERIAL

Standard	Type	Pump head	Piston sealing	Valve
	KV	PPS	PTFE	FPM

NPK03KVDC-M PR



NPK03KVDC-B4 PR

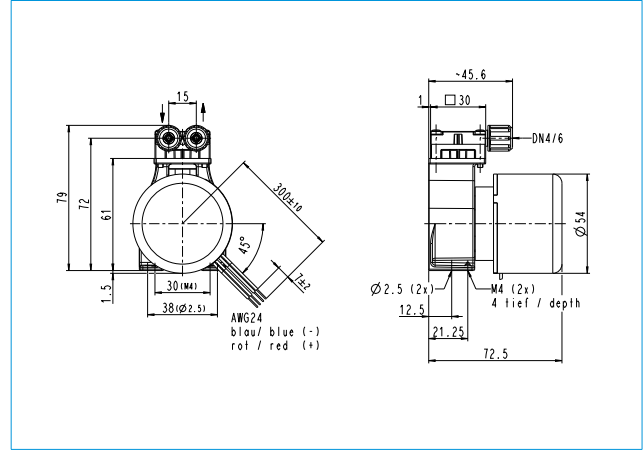
PERFORMANCE DATA

Type	Voltage (V)	Flow rate (l/min)	Ultimate pressure (bar rel.)	Ultimate vacuum (mbar abs.)
NPK03KVDC-B4 PR 12	12	2.7	5.5	250
NPK03KVDC-B4 PR 24	24	2.7	5.5	250

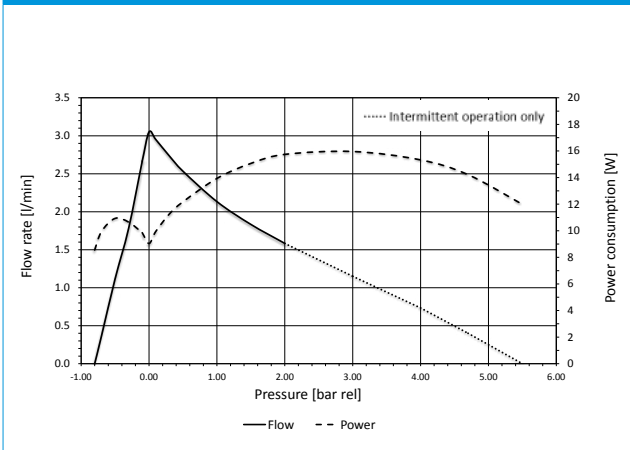
PUMP MATERIAL

Standard	Type	Pump head	Piston sealing	Valve
	KV	PPS	PTFE	FPM

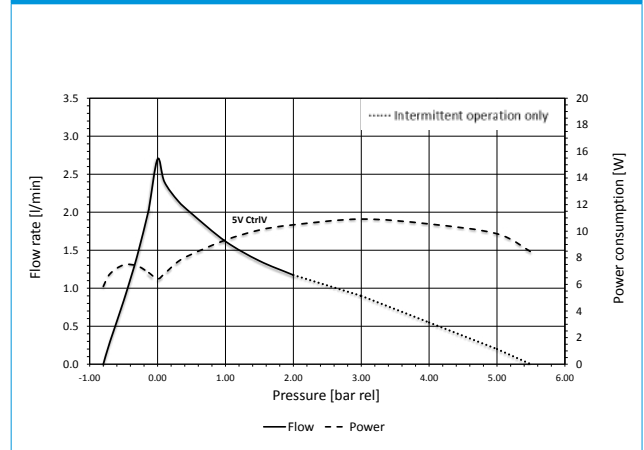
NPK03KVDC-B4 PR



NPK03KVDC-M PR 12/24 V



NPK03KVDC-B4 PR 12/24 V



More detailed information according duty cycles and service interval is available in the operating instruction.

ACCESSORIES

Service-Kit (sealing, valve, O-ring)	ID 314 101
Silencer/Filter	ID 314 005
Mounting plate	ID 312 554